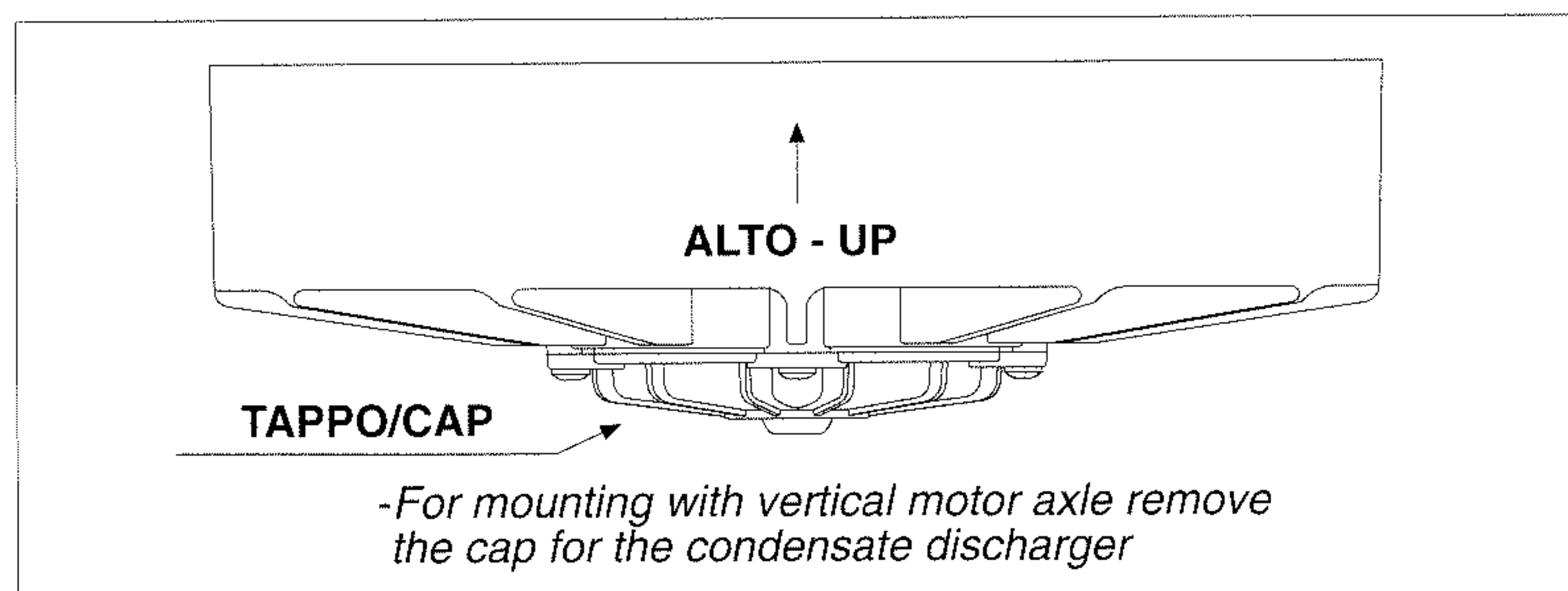
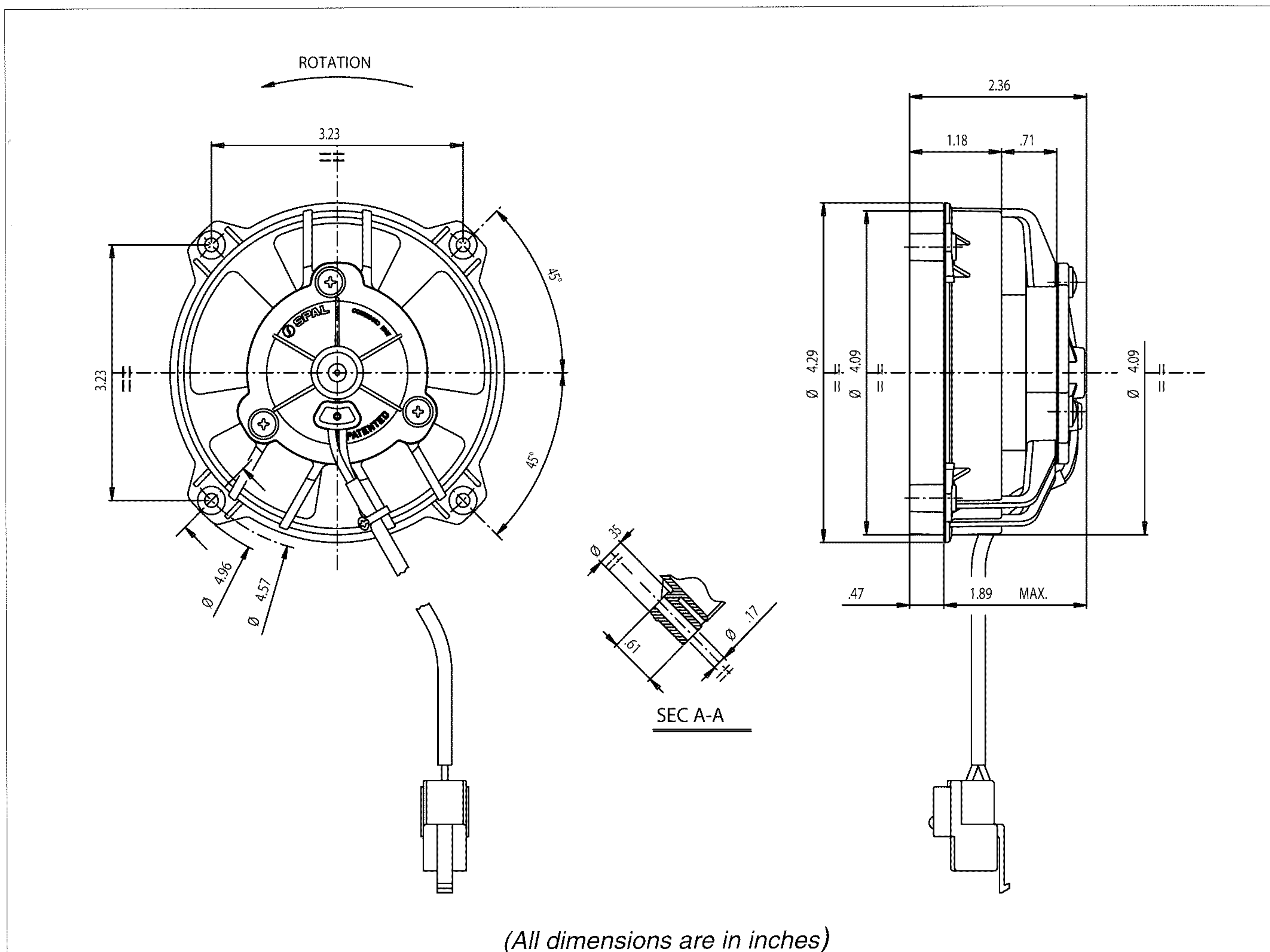


Art. 30103009	Type VA32-A101-62 S Push	Fan diameter 4"
-------------------------	------------------------------------	---------------------------



*Weight .85 lbs. approx.

*Closed Motor

*Long Life

*Available accessories: all the mounting kits

Test voltage 13 V DC

Static pressure	Airflow	Current input
in. H ₂ O	cfm	A
0	124	1.9
0.2	100	1.9
0.4	41	1.9
0.5	36	2.1
0.6	30	2.2

Static pressure: 1 mm H₂O = 0,04 in. H₂O
Airflow: 1 m³/h = 0,59 cfm