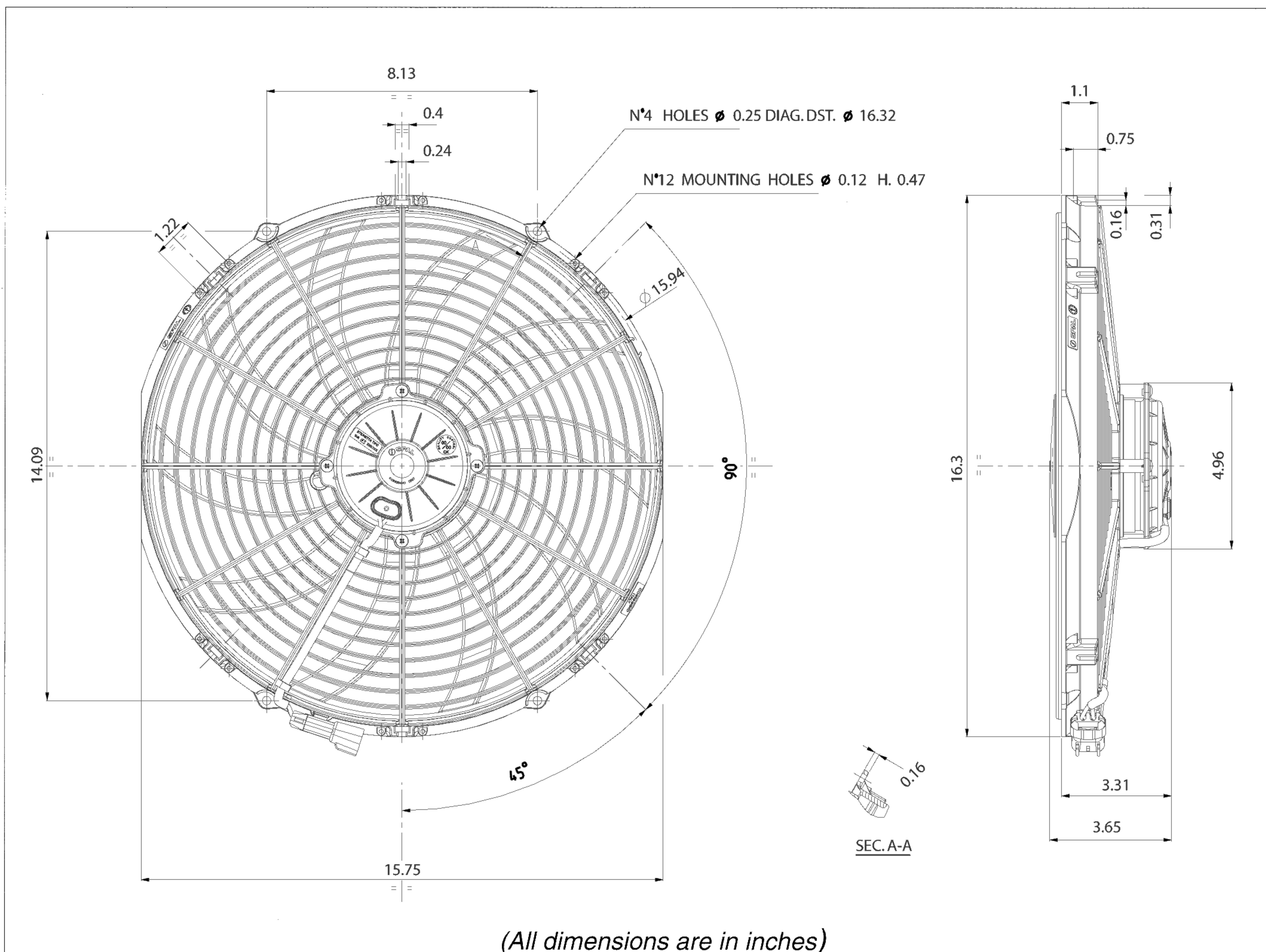


Art. 30102113	Type VA18-AP70/LL/F-59A Pull	Fan diameter 16"
-------------------------	--	----------------------------



*Weight 5.17 lbs. approx.

*Fan with back skewed blades

*Waterproof connector

*Non Sealed motor

*Recommended for Race Use Only

*Available accessories: all mounting kits,
30130074 fan gasket

Test voltage 13 V DC

Static pressure in H ₂ O	PUSH		PULL	
	Airflow cfm	Current input A	Airflow cfm	Current input A
0	-	-	3000	26

Static pressure: 1 mm H₂O = 0,04 in. H₂O
Airflow: 1 m³/h = 0,59 cfm