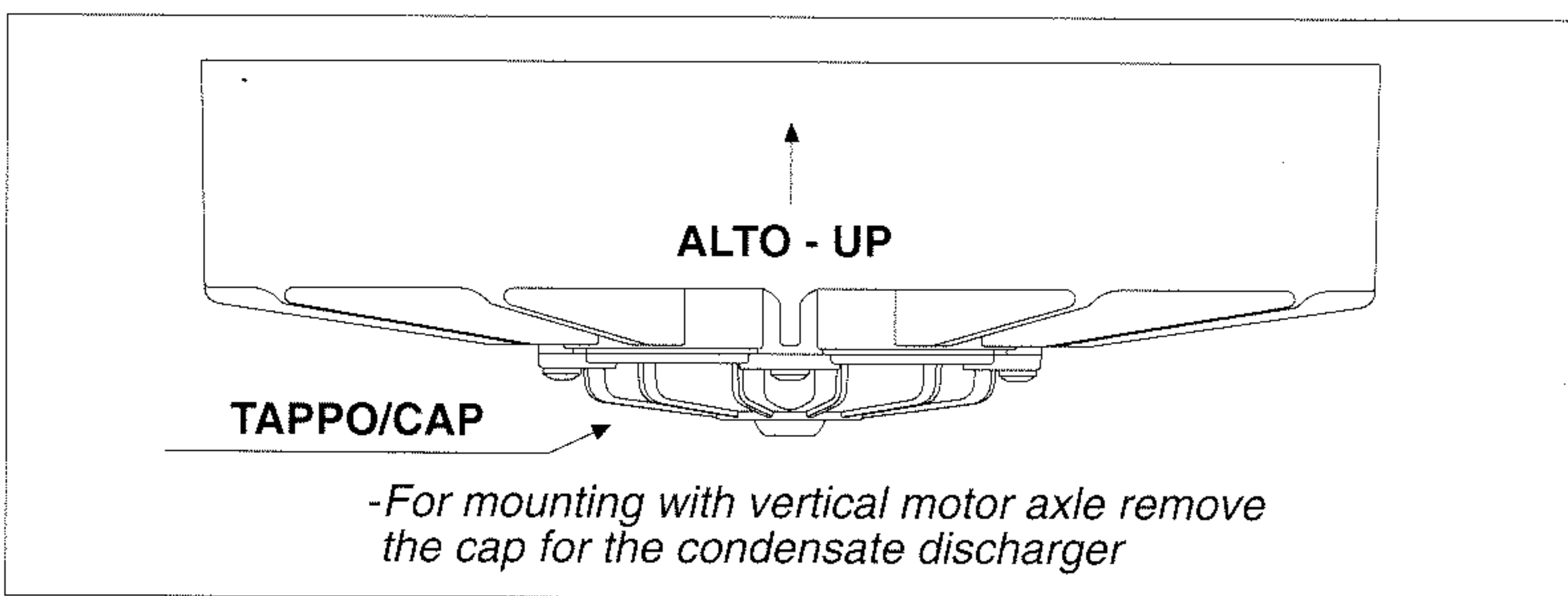
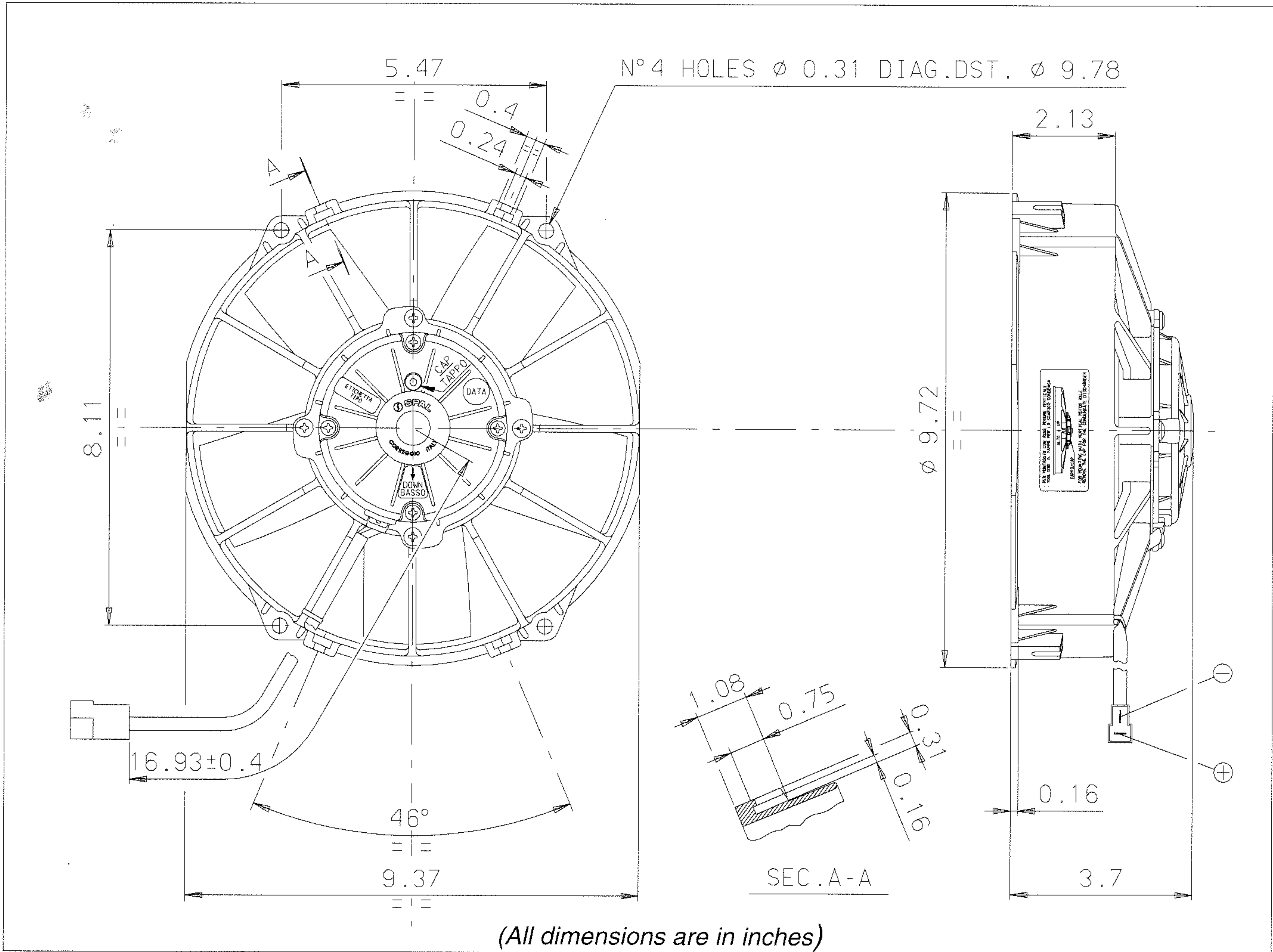


Art. 30102061 30102053	Type VA02 - AP6 - 40A Pull VA02 - AP6 - 40S Push	Fan diameter 9"
------------------------------	--	--------------------



* Weight 4.84 lbs. approx.

* Closed motor

* Long life

* Available accessories: all the mounting kits.

Test voltage 13 V DC

Static pressure	Airflow	Current input
in. H ₂ O	cfm	A
0	740	8
0.2	650	8.5
0.4	580	8.8
0.6	390	9
0.8	300	9.2
1.0	210	9.6
1.2	150	10
1.4	-	10.5

Static pressure: 1 mm H₂O = 0,04 in. H₂O
Airflow: 1 m³/h = 0,59 cfm