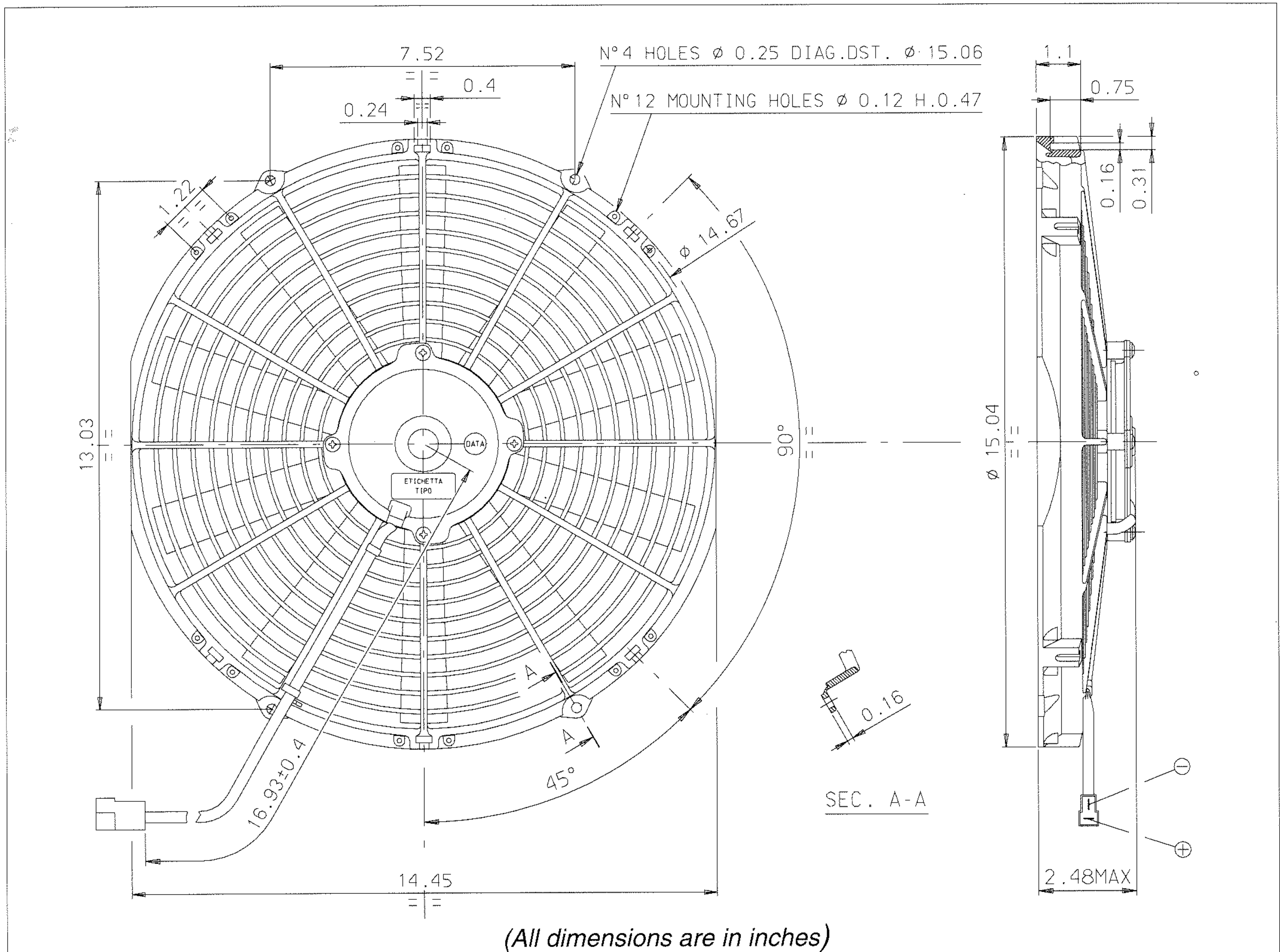


Art. 30101509 30101510	Type VA08 - AP51/C - 23A Pull VA08 - AP51/C - 23S Push	Fan diameter 14"
------------------------------	--	---------------------



[Empty box for notes]

- * Weight 3.74 lbs. approx.
- * Long life
- * Closed motor
- * Available accessories: all the mounting kits.

[Empty box for notes]

Test voltage 13 V DC

Static pressure	Airflow	Current input
in. H ₂ O	cfm	A
0	1280	9.9
0.1	1200	10.1
0.2	1100	10.4
0.3	1000	10.8
0.4	880	11
0.5	730	10.9
0.6	550	10.5
0.7	390	10.5
0.8	220	10.4
1.0	-	10.5

Static pressure: 1 mm H₂O = 0,04 in. H₂O
Airflow: 1 m³/h = 0,59 cfm